

**CONTINUOUS
RING MILL**



ROCKLABS CONTINUOUS RING MILL



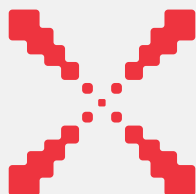
Big inputs and accurate outputs for seriously reliable results.

The Continuous Ring Mill is used for coarse or fine pulverising of large mineral samples, preparing samples for on-stream analysis, dry or slurries. Low maintenance and easy to clean, this ring mill features a continuous flow-through operation with built-in ducting of cyclone with external connection to dust extraction systems for cleaning the head.

Featuring quiet operation and a combination of splitting segments available, the Rocklabs Continuous Flow Ring Mill comes with a built-in rotating sample divider and a sample bin which can hold up to 10kgs.

Benefits:

- Compact size
- Low maintenance
- Large sample pulverising
- Built in ducting
- Sample bin holds up to 10kgs
- Easy to clean



Motor power	Ring Mill - 1.1kW, 3 phase RSD - 0.18kW, 3 phase
Maximum input particle size	Recommended 2-5mm sample, 8mm maximum
Product Size	Single-tier: -300µm (+80%) Double tier: -100µm (+95%)
Options	Coarse pulverise - Single Tier Fine pulverise - Double Tier Head Split Segments options: 5%, 10%, 15%, 20%, 25%, 30% and other % on request.
Hopper Capacity	8kg

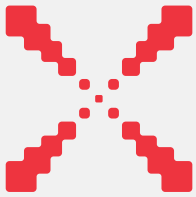
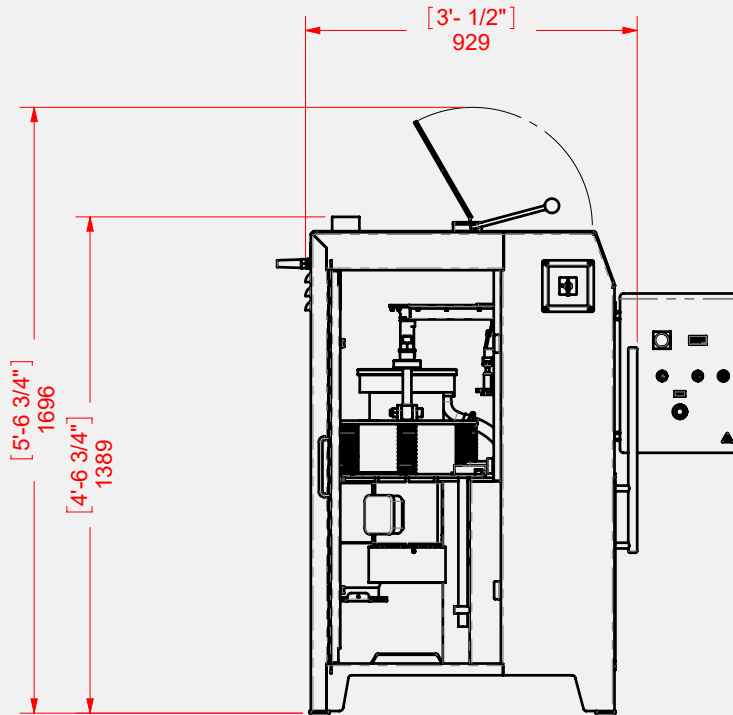
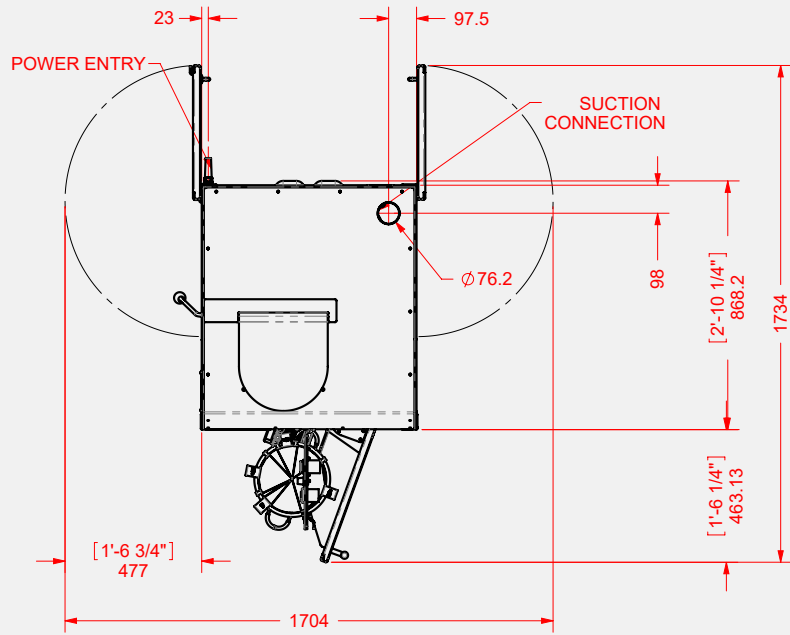


Voltage Supply	Phase	Frequency	Amps	Kw
208-240V	1Ph/3Ph	50Hz/60Hz	7.5A	1.5Kw
380-415V	3Ph	50Hz/60Hz	4A	1.5Kw
440-480V	3Ph	50Hz/60Hz	3.5A	1.5Kw



	Product	Shipping
Height	1389mm	1595mm
Width	868mm	970mm
Depth	929mm	1080mm
Weight	424kg SS/437kg DS	500kg/515kg

ROCKLABS CONTINUOUS RING MILL



Powered by Scott for worldwide support.

The Continuous Ring Mill is sold with a 2000 operating hours or one year warranty (whichever comes first), covering all parts (excluding wear parts) and labour if used under normal laboratory conditions.