

**RM1000**



# ROCKLABS RM1000



## Big inputs and accurate outputs for seriously reliable results.

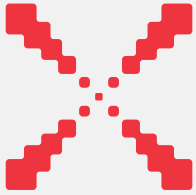
The Rocklabs RM1000 batch pulveriser is used for pulverizing a variety of material from 1-1000g for subsequent analysis by instrumental methods or wet chemistry. It is reliable, safe and robust and designed to process samples with a final size of <75 microns.

Featuring strong construction and requiring little maintenance, the Rocklabs RM1000 has two clamping options available a Pneumatic Airbag clamp and the Rotoclamp Mechanical clamp.

The Rocklabs RM1000 has smaller head options which can be used with an adaptor plate.

### Benefits:

- 1 phase or 3 phase power supply
- Smaller head options can be used with an adaptor plate
- Very low contamination of samples
- Quiet operation
- Low capital cost, long life



Maximum input particle size	<b>Recommended 2-5mm sample, 8mm maximum</b>
Product Size	<b>Samples can be pulverized &lt;75µm</b>
Sample Size	<b>1g - 1000g</b>
Options	<b>Pneumatic Airbag clamp (requires compressed air), Rotoclamp</b>

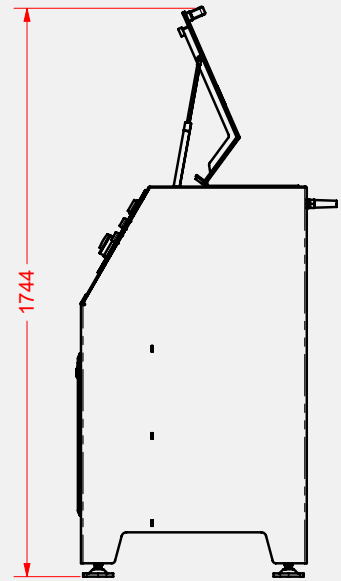
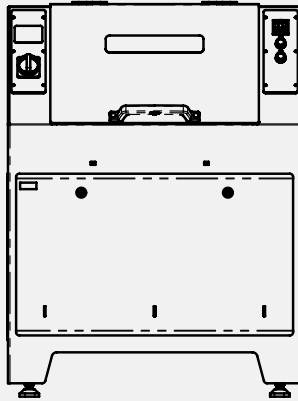


Voltage Supply	Phase	Frequency	Amps	kW
208 - 240v	1ph L + N	50/60Hz	5.35A	1.1kW
208 - 240v	3ph L1 + L2 + L3	50/60Hz	5.35A	1.1kW
380 - 480v	3ph L1 + L2 + L3	50Hz	3.3A	1.1kW
440 - 480v	3ph L1 + L2 + L3	50/60Hz	2.66A	1.1kW

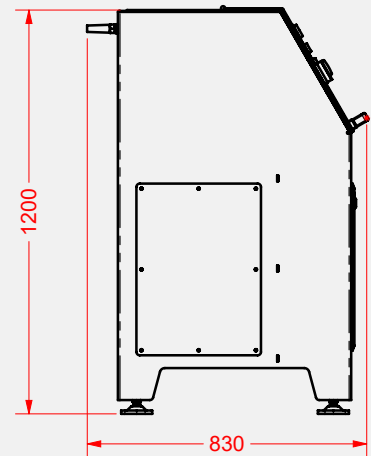
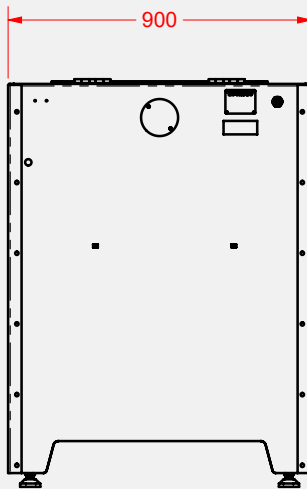
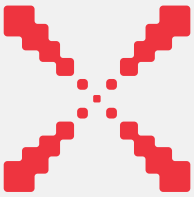


	Shipping
Height	<b>1465mm</b>
Width	<b>1030mm</b>
Depth	<b>930mm</b>
Weight	<b>360kg</b>

**ROCKLABS  
RM1000**



**OPEN LID VIEW**



**Powered by Scott for worldwide support.**

Rocklabs standard equipment is warranted against manufacturing defects for the period of one year, or the first 2000 operating hours, whichever comes first.