

**ABM3000
BATCH MILL**



**ROCKLABS
ABM3000
BATCH MILL**

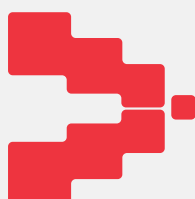
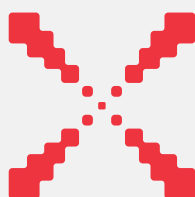


Big inputs and accurate outputs for seriously reliable results.

The ABM3000 is an efficient and cost effective mill for running large batch samples. Able to run up to 23 samples at a maximum of 1000g per sample the ABM is fully programmable through the use of a PLC controller. The PLC allows the Operator to have full control over the milling time and clean out cycles as well as all other mill functions. Safety interlocks are situated on all doors to prevent Operators from opening any doors while the machine is in operation.

Benefits:

- LCD touch screen panel with flashing buttons for clear indication of process
- PLC control over milling and clean out cycle
- Auto sand wash programmed to clean out the mill between samples
- Two chromium head sizes to choose from; with easy changeover of the milling head
- Full compressed air blow down and vacuum clean between samples



Sample

Input Cup Sample Mass	50g-1000g (Depending on Head size)
Input Sample Particle Size	≤ 5mm Crushed Sample
Output Sample Particle Size	Typical 95% Passing 75µm

Sand Wash

Sand Wash Particle Size	0.25mm-2mm
Sand Hopper Capacity	25kg

Compressed Air Requirements

Pressure	6 Bar (0.6 Mpa)
Flow	100L/min @ 6 Bar

Electrical

Voltage	208-240VAC	380-415VAC	480VAC
Frequency	50/60Hz	50/60Hz	60Hz
Phase	2Ph/1Ph+N	2Ph	2Ph
Max Current	25A	14A	11A
Max KVA	5kVA	5kVA	5kVA

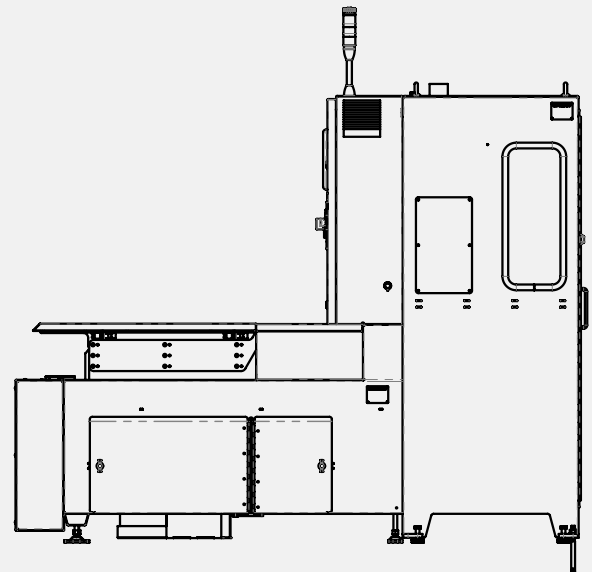
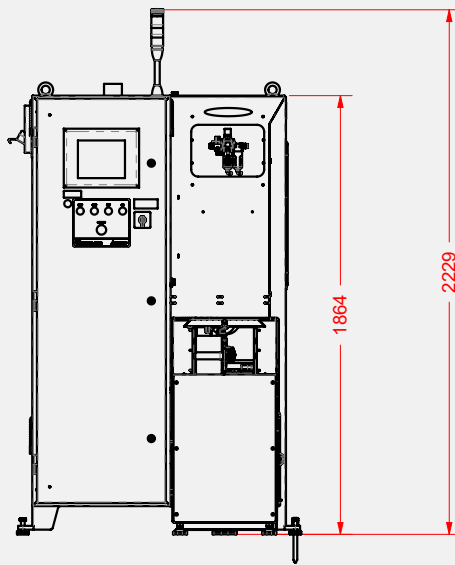
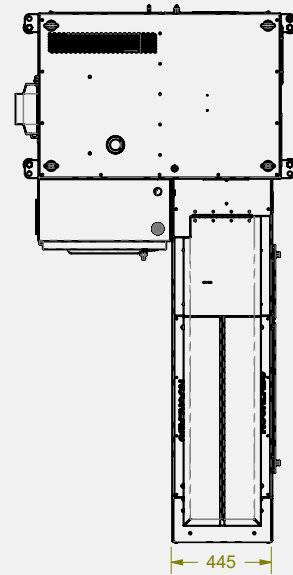
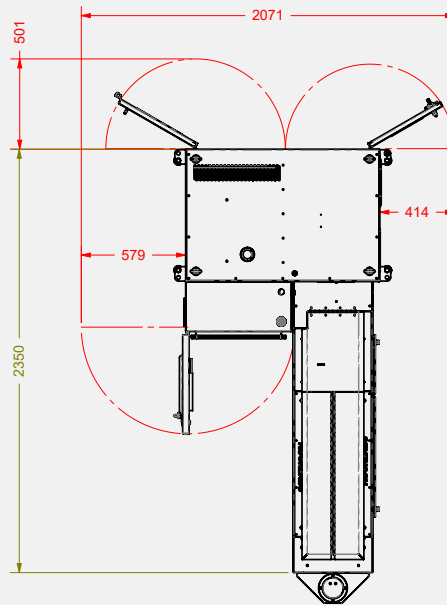
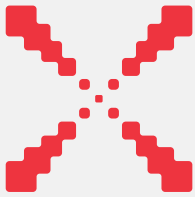
Environmental Limitations

Storage Temperature	0°C (Min)	60°C (Max)
Operating Temperature	5°C (Min)	45°C (Max)
Humidity (Non-Condensing)	5%	95%
Altitude	0 m	2000 m

Dust Extraction Requirements

Flow Minimum	3m ³ /min (Min)	7m ³ /min (Max)
--------------	----------------------------	----------------------------

ROCKLABS ABM3000 BATCH MILL



Dimensions and Weight

	Shipping Crate 1	Shipping Crate 2	Working Footprint
Width	2260mm	2300mm	1100mm
Height	1230mm	625mm	2400mm
Depth	1320mm	1310mm	2400mm
Weight	930kg	420kg	1320kg

Powered by Scott for worldwide support.

ROCKLABS ABM3000 Batch Mill is sold with a 2000 operating hours or 12 month warranty (whichever comes first), covering all parts (excluding wear parts) and labour if used under normal laboratory conditions.