



Automatic Guided Vehicle Systems

Mobile Robotics Since 1982



Transbotics.com | +1 704 362 1115

SOLUTIONS SUITE

Transbotics manufactures, installs, and supports various automation technologies, including custom, and standard AGVs, AGCs, heavy load AGVs, conveyors, batteries, chargers, motors and other related products. Transbotics provides unique automation solutions to a variety of industries, including automotive (and tier one suppliers), primary metals, food and beverage, aerospace and defense, plastics and paper and allied products.



CONSULTATION/ DESIGN

Consultation begins by working closely with our clients to understand the application and overall system requirements. Countless variables are considered and studies are conducted down to through-put calculations. Based on this thorough assessment, our team can make recommendations and submit a proposal. Typically, 2D CAD drawings are provided first, followed by a 3D layout and simulation.



MANUFACTURING

Once a system is established, our clients get a dedicated project management team that follows the project from start to installation. In the manufacturing stage, the team stays in close contact with the client, providing updates, photos and site visits. The team's primary goal is to deliver the system on time, on budget, and with the utmost quality control.



INSTALLATION

Upon completion of the build process, in-house testing of the equipment is conducted, followed by FAT and shipment to site. A team is sent to the client's site to conduct installation and further testing of the system and application. Once approved, the system is ready to run.



TRAINING

Along side the installation stage, the first training with operator(s) occurs. Operators take part in the installation process, enabling them to fully understand how to operate, trouble-shoot, and even service the vehicle. Further training can be provided upon request.



AFTERMARKET

Our Aftermarket team offers a wide array of services to help client's run their system smoothly for the life of the vehicles. From parts, to service, to remote trouble shooting and training. Aftermarket can be reached 24 hrs a day, 7 days week to provide excellent customer service.

Revolutionary AGV Benefits

AGVs are great for increasing efficiency and reducing costs, by helping to automate a manufacturing site or warehouse. Below are just some of the many benefits.

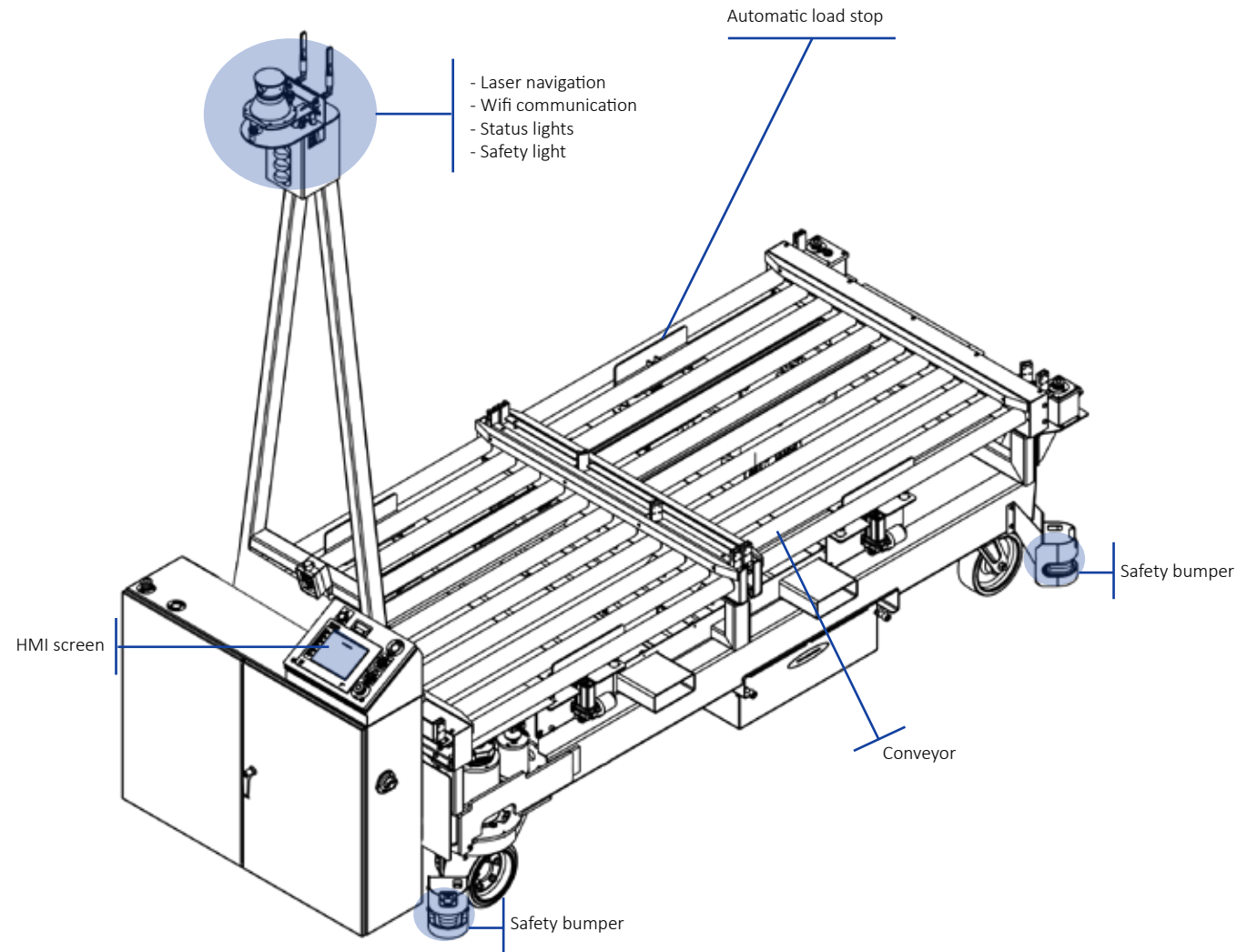
- Increase Labor Skill
- Less Product Damage
- Multi-shift & 24/7 Operations
- Increased Safety
- Reduced Maintenance
- Improved Accuracy



CONVEYOR DECK AGVS

Transbotics Unit Load and Conveyor Style AGVs are used to move pallets, drums, boxes, totes, and skidded items throughout various areas of a production, manufacturing, or distribution facility. This AGV type can be very versatile and is ideal when interfacing with fixed conveyors of different heights. We have several standard designs that can be customized as needed to include a combination of features such as unit load, conveyor, and lift deck capabilities.

FEATURES



AVAILABLE MODELS

<p>Single Conveyor</p> <p>Laser Guided Vehicle Load Size: 48"x48" Load Weight: 3,000 lbs Overheat Protection</p>	<p>Dual Inline Conveyor</p> <p>Laser Guided Vehicle Load Size: 40"x48" Load Weight: 2,500 lbs per conveyor</p>
<p>Dual Conveyor Top Quad Directional</p> <p>Laser Guided Vehicle Load Size: 40"x48" Load Weight: 1,500 lbs per conveyor</p>	<p>Low Profile Conveyor Top Quad Directional</p> <p>Laser Guided Vehicle Load Size: 48"x48" Load Weight: 4,000 lbs</p>
<p>Custom Dual Conveyor Deck Quad Directional</p> <p>Laser Guided Vehicle Load Size: 24"x36" Load Weight: 1,000 lbs per conveyor</p>	<p>Custom Conveyor Deck Quad Directional</p> <p>Quad Directional Laser Guided Vehicle Load Size: 24"x36" Load Weight: 1,000 lbs</p>





TRANSBOTICS



704-362-1115 | 2205 BELTWAY BLVD. SUITE 100 CHARLOTTE, NC 28214
WWW.TRANSBOTICS.COM | SALES@TRANSBOTICS.COM